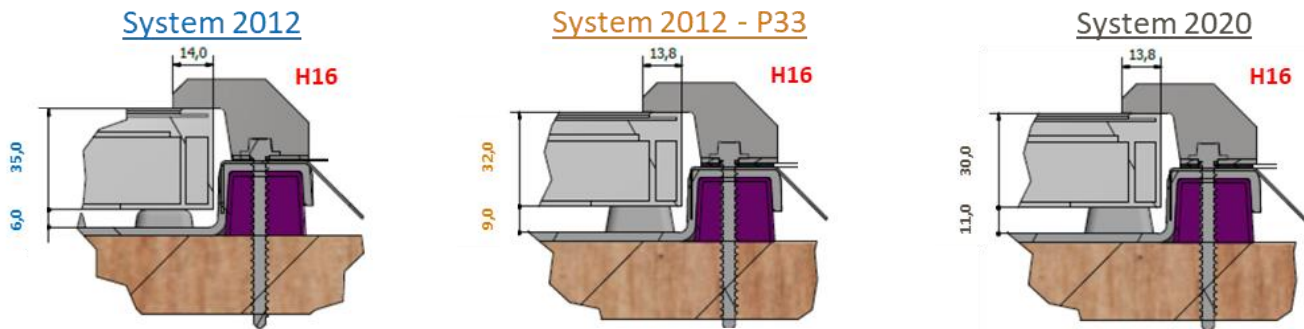


# GSE In-Roof – Entwicklung des Systems



	Ref.	PV-Modul Abmessungen				Modulklemmen															Kompatibilität mit Split-Anschlussdose							
		Höhe			Breite		Moduldrücken (mm)																					
		Zulässiges Min.	Empfohlenes Min.	Max.	Empfohlenes Min.	Max.	30	31	32	33	34	35	36	37	38	39	40	41	42	43		44	45	46	47	48	49	50
HOCHFORMAT	Version 2012	1580_808	1500	1540	1680	803	808							H16	H19	H21	H23	H26	H27							H31	NEIN	
		1575_1046	1495	1535	1675	1041	1046							H16	H19	H21	H23	H26	H27							H31	NEIN	
		1575_1053	1495	1535	1675	1048	1053							H16	H19	H21	H23	H26	H27							H31	NEIN	
		1575_1082	1495	1535	1675	1077	1082							H16	H19	H21	H23	H26	H27							H31	NEIN	
		1640_992	1560	1600	1740	987	992							H16	H19	H21	H23	H26	H27							H31	NEIN	
		1640_1001	1560	1600	1740	996	1001							H16	H19	H21	H23	H26	H27							H31	NEIN	
		1640_1001_31	1560	1600	1740	996	1001							H16	H19	H21	H23			H27						H31	NEIN	
		1640_1001_33	1560	1600	1740	996	1001				H16	H19	H21	H23	H26	H27										H31	NEIN	
	1686-1700_1016	1605	1645	1755	1011	1016							H16	H19	H21	H23	H26	H27							H31	NEIN		
	Version 2020	1710_995	1630	1670	1780	990	995	H16	H19	H21	H23	H26	H27			H31											JA	
		1710_1000	1630	1670	1780	995	1000	H16	H19	H21	H23	H26	H27			H31											JA	
		1710_1005	1630	1670	1780	1000	1005	H16	H19	H21	H23	H26	H27			H31											JA	
		1710_1010	1630	1670	1780	1005	1010	H16	H19	H21	H23	H26	H27			H31												JA
		1710_1015	1630	1670	1780	1010	1015	H16	H19	H21	H23	H26	H27			H31												JA
		1710_1020	1630	1670	1780	1015	1020	H16	H19	H21	H23	H26	H27			H31												JA
		1710_1025	1630	1670	1780	1020	1025	H16	H19	H21	H23	H26	H27			H31												JA
		1710_1030	1630	1670	1780	1025	1030	H16	H19	H21	H23	H26	H27			H31												JA
		1710_1035	1630	1670	1780	1030	1035	H16	H19	H21	H23	H26	H27			H31												JA
		1710_1040	1630	1670	1780	1035	1040	H16	H19	H21	H23	H26	H27			H31												JA
		1710_1045	1630	1670	1780	1040	1045	H16	H19	H21	H23	H26	H27			H31												JA
1710_1050		1630	1670	1780	1045	1050	H16	H19	H21	H23	H26	H27			H31												JA	
1710_1055	1630	1670	1780	1050	1055	H16	H19	H21	H23	H26	H27			H31												JA		
1710_1060	1630	1670	1780	1055	1060	H16	H19	H21	H23	H26	H27			H31												JA		
QUERFORMAT	Version 2012	1559_1082	1002	1042	1182	1554	1559							H16	H19	H21	H23	H26	H27						H31	NEIN		
		1575_1082	1002	1042	1182	1570	1575							H16	H19	H21	H23	H26	H27						H31	NEIN		
		1580_808	728	768	908	1575	1580							H16	H19	H21	H23	H26	H27						H31	NEIN		
		1640_992	912	952	1092	1635	1640							H16	H19	H21	H23	H26	H27						H31	NEIN		
		1650_992	912	952	1092	1645	1650							H16	H19	H21	H23	H26	H27						H31	NEIN		
		1660_992	912	952	1092	1655	1660							H16	H19	H21	H23	H26	H27						H31	NEIN		
		1670_992	912	952	1092	1665	1670							H16	H19	H21	H23	H26	H27						H31	NEIN		
		1675_992_33	912	952	1092	1670	1675				H16	H19	H21	H23	H26	H27									H31	NEIN		
		1680_992	912	952	1092	1675	1680							H16	H19	H21	H23	H26	H27						H31	NEIN		
		1686_1016	912	952	1092	1681	1686							H16	H19	H21	H23	H26	H27						H31	NEIN		
	1700_1016	912	952	1092	1695	1700							H16	H19	H21	H23	H26	H27						H31	NEIN			
	Version 2020	1665_1020	940	980	1120	1660	1665	H16	H19	H21	H23	H26	H27			H31											JA	
		1675_1020	940	980	1120	1670	1675	H16	H19	H21	H23	H26	H27			H31											JA	
		1680_1020	940	980	1120	1675	1680	H16	H19	H21	H23	H26	H27			H31											JA	
		1685_1020	940	980	1120	1680	1685	H16	H19	H21	H23	H26	H27			H31											JA	
		1690_1020	940	980	1120	1685	1690	H16	H19	H21	H23	H26	H27			H31											JA	
		1695_1020	940	980	1120	1690	1695	H16	H19	H21	H23	H26	H27			H31											JA	
		1700_1020	940	980	1120	1695	1700	H16	H19	H21	H23	H26	H27			H31											JA	
1705_1020		940	980	1120	1700	1705	H16	H19	H21	H23	H26	H27			H31											JA		
1720_1020	940	980	1120	1715	1720	H16	H19	H21	H23	H26	H27			H31											JA			
1740_1020	940	980	1120	1735	1740	H16	H19	H21	H23	H26	H27			H31											JA			