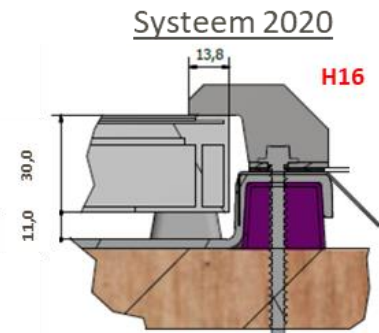
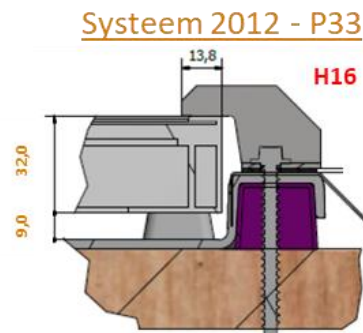
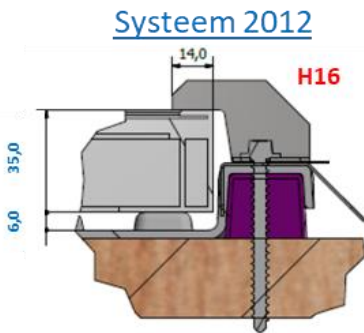


GSE In-Roof – Systemontwikkeling



	Ref.	Zonnepanelen afmetingen						Klemmen																						
		Hoogte			Breedte			Zonnepanelen dikte (mm)																						
		Min. getolereerd	Min. geadviseerd	Max.	Min. getolereerd	Min. geadviseerd	Max.	30	31	32	33	34	35	36	37	38	39	40	41	42	43	44	45	46	47	48	49	50		
PORTRAIT	Versie 2012	1580_808	1500	1540	1620	801	803	808							H16	H19	H21	H23	H26	H27									H31	
		1575_1046	1495	1535	1615	1039	1041	1046							H16	H19	H21	H23	H26	H27									H31	
		1575_1053	1495	1535	1615	1046	1048	1053							H16	H19	H21	H23	H26	H27									H31	
		1575_1082	1495	1535	1615	1075	1077	1082							H16	H19	H21	H23	H26	H27									H31	
		1640_992	1560	1600	1680	985	987	992							H16	H19	H21	H23	H26	H27									H31	
		1640_1001	1560	1600	1680	994	996	1001							H16	H19	H21	H23	H26	H27									H31	
		1640_1001_33	1560	1600	1680	994	996	1001				H16	H19	H21	H23	H26	H27											H31		
		1686-1700_1016	1605	1645	1725	1009	1011	1016							H16	H19	H21	H23	H26	H27									H31	
PORTRAIT	Versie 2020	1710_1000	1630	1670	1750	993	995	1000	H16	H19	H21	H23	H26	H27							H31									
		1710_1005	1630	1670	1750	998	1000	1005	H16	H19	H21	H23	H26	H27							H31									
		1710_1020	1630	1670	1750	1013	1015	1020	H16	H19	H21	H23	H26	H27							H31									
		1710_1025	1630	1670	1750	1018	1020	1025	H16	H19	H21	H23	H26	H27							H31									
		1710_1030	1630	1670	1750	1023	1025	1030	H16	H19	H21	H23	H26	H27							H31									
		1710_1040	1630	1670	1750	1033	1035	1040	H16	H19	H21	H23	H26	H27							H31									
		1710_1050	1630	1670	1750	1043	1045	1050	H16	H19	H21	H23	H26	H27							H31									
		1710_1060	1630	1670	1750	1053	1055	1060	H16	H19	H21	H23	H26	H27							H31									
LANDSCAPE	Versie 2012	1559_1082	1002	1042	1122	1552	1554	1559							H16	H19	H21	H23	H26	H27									H31	
		1575_1082	1002	1042	1122	1568	1570	1575							H16	H19	H21	H23	H26	H27									H31	
		1580_808	728	768	848	1573	1575	1580							H16	H19	H21	H23	H26	H27									H31	
		1640_992	912	952	1032	1633	1635	1640							H16	H19	H21	H23	H26	H27									H31	
		1650_992	912	952	1032	1643	1645	1650							H16	H19	H21	H23	H26	H27									H31	
		1660_992	912	952	1032	1653	1655	1660							H16	H19	H21	H23	H26	H27									H31	
		1670_992	912	952	1032	1663	1665	1670							H16	H19	H21	H23	H26	H27									H31	
		1675_992_33	912	952	1032	1668	1670	1675				H16	H19	H21	H23	H26	H27											H31		
		1680_992	912	952	1032	1673	1675	1680							H16	H19	H21	H23	H26	H27									H31	
		1686_1016	912	952	1032	1679	1681	1686							H16	H19	H21	H23	H26	H27									H31	
		1700_1016	912	952	1032	1693	1695	1700							H16	H19	H21	H23	H26	H27									H31	
		LANDSCAPE	Versie 2020	1665_1020	940	980	1060	1658	1660	1665	H16	H19	H21	H23	H26	H27							H31							
				1675_1020	940	980	1060	1668	1670	1675	H16	H19	H21	H23	H26	H27							H31							
1680_1020	940			980	1060	1673	1675	1680	H16	H19	H21	H23	H26	H27							H31									
1685_1020	940			980	1060	1678	1680	1685	H16	H19	H21	H23	H26	H27							H31									
1690_1020	940			980	1060	1683	1685	1690	H16	H19	H21	H23	H26	H27							H31									
1700_1020	940			980	1060	1693	1695	1700	H16	H19	H21	H23	H26	H27							H31									
1740_1020	940			980	1060	1733	1735	1740	H16	H19	H21	H23	H26	H27							H31									